



ARCTIC COMPRESSOR

“The Simple Choice”



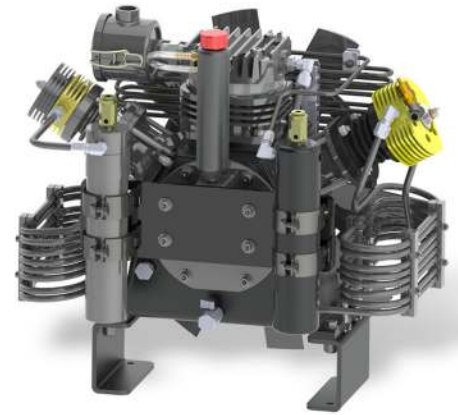
MADE IN THE USA

ENCLOSED 1000 & 1500 SERIES COMPRESSORS
Manufactured By **North Shore Compressor**

3 STAGE 1000 SERIES / 4 STAGE 1500 SERIES

3 STAGE ARCTIC COMPRESSORS

MODEL	PSI	CFM	HP	STAGES	RPM	WEIGHT
E3-5-A	5000	6.5	5	3	1100	600 lbs
E3-7.5-A	5000	9	7.5	3	1500	610 lbs
E3-5-A6	6000	5.5	5	3	1100	600 lbs
E3-7.5-A6	6000	8	7.5	3	1500	610 lbs



4 STAGE ARCTIC COMPRESSORS

MODEL	PSI	CFM	HP	STAGES	RPM	WEIGHT
E4-7.5-A6	6000	9	7.5	4	1100	680 lbs
E4-10-A6	6000	14	10	4	1400	700 lbs



FEATURES

- ▶ **3 or 4 Stage Arctic Compressor Block featuring:**
 - Air Cooled with a High Velocity, 10 Bladed Fan
 - Relief Valve on All Stages
 - Aluminum Inter Coolers
 - Stainless Steel After Cooler
 - Interstage and Final Moisture Separators
 - Aluminum Crankcase
 - Forged Steel Crankshaft
 - Cast Iron Cylinders
- ▶ Fully Enclosed Sound Dampened Cabinet
- ▶ Lift Off Panel Hinges
- ▶ Liquid Filled Interstage Pressure Gauges
- ▶ Moisture / Carbon Monoxide Visual Indicator
- ▶ Double Rubber Vibration Isolation
- ▶ Automatic Condensate Drain System
- ▶ Pressure Switch
- ▶ Hour Meter
- ▶ Single or Three Phase Electric Motor

PURIFICATION

- ▶ 24,000 Cu. Ft. at 80 degrees Fahrenheit filtration system designed to provide C.G.A. Grade "E" breathing air.
- ▶ System uses dryer bed to remove water in excess of dew point -65 degrees (NFPA 1500 standard)
- ▶ Activated charcoal and a carbon monoxide catalyst remove remaining contaminants to provide CGA Grade "E" breathing air.

OPTIONAL FEATURES

- ▶ Real Time Electronic CO Monitor
- ▶ Additional Filtration Capacity
- ▶ Low Oil Level Shutdown



Manufactured By **North Shore Compressor**

THE SIMPLE CHOICE BENEFITS:

SIMPLE VALUE / High quality American made equipment, affordably priced

SIMPLE OPERATION / Minimizes operator training requirements

SIMPLE MAINTENANCE / Designed for easy maintenance, reducing overall cost of ownership

SIMPLE SERVICE / Nationwide distributor / service network providing fast local service

With benefits like these, it's easy to see why Arctic Compressors is "The Simple Choice."

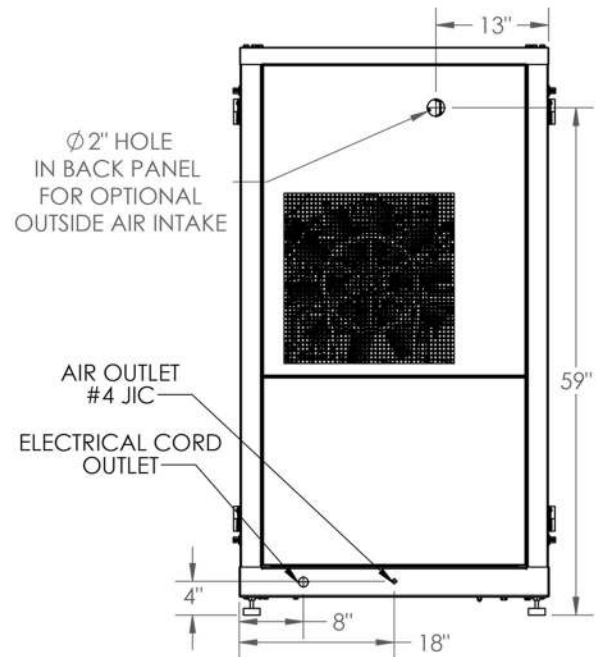
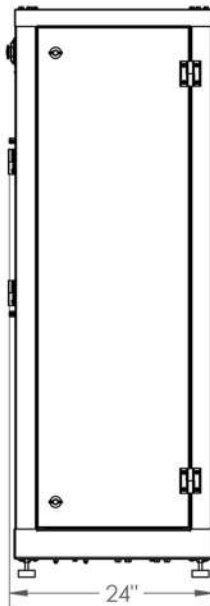
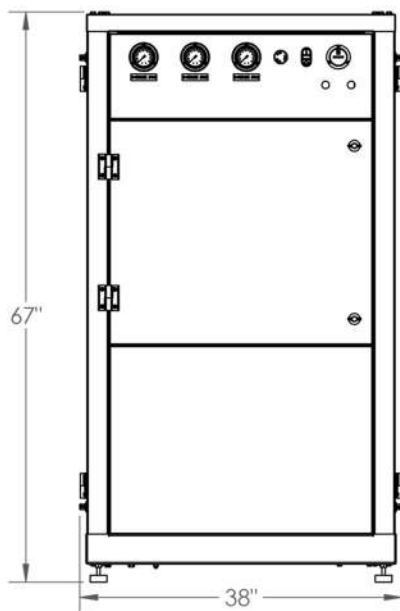
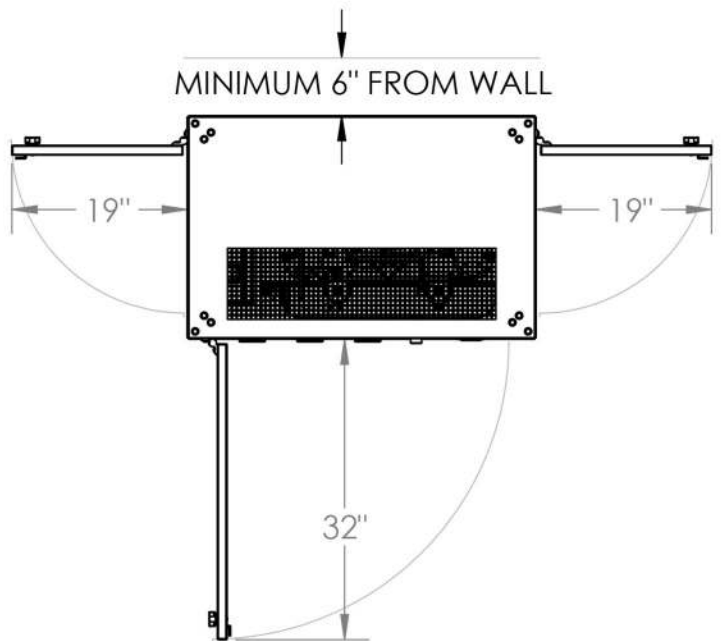
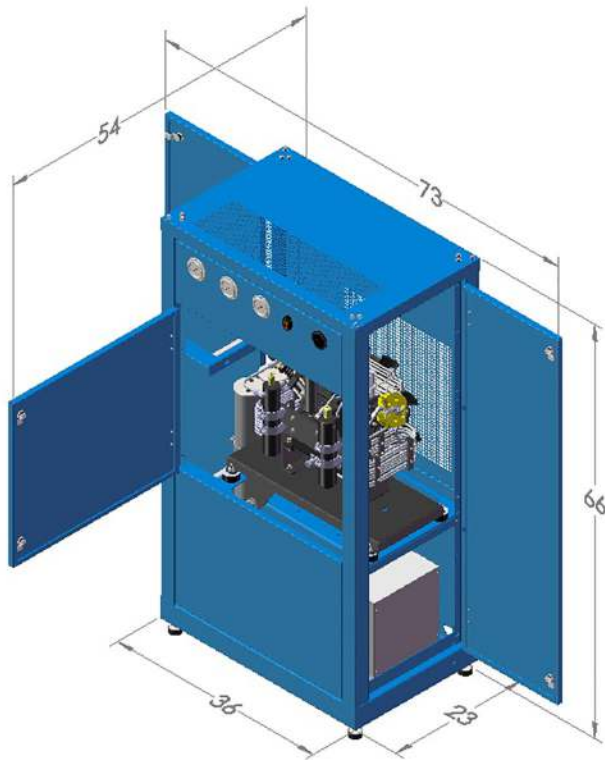


Model E4-10-A6 with
Optional Electronic
CO Monitor Shown



MADE IN THE USA

TECHNICAL INFORMATION



All Arctic Compressors include an 8ft electrical cord and plug. See table for required receptacle size.

	Single Phase 208/240V	Three Phase 208/240V	Three Phase 480V
5 HP	NEMA 6-30	NEMA L15-20	NEMA L16-20
7.5 HP	NEMA 6-50	NEMA L15-30	NEMA L16-30
10 HP	NEMA 6-50	NEMA L15-30	NEMA L16-30

North Shore Compressor & Machine, Inc
 83 Outer Drive, Silver Bay, MN 55614
 [218] 226-4695 Voice / [218]-226-3440 Fax
www.ArcticCompressor.com
 email: info@northshorecompressor.com